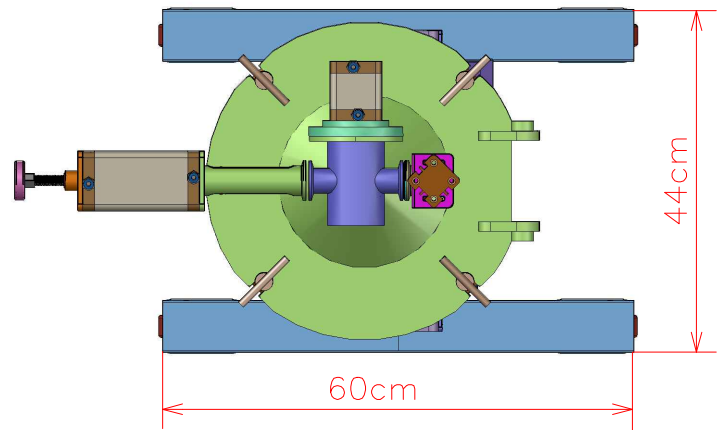
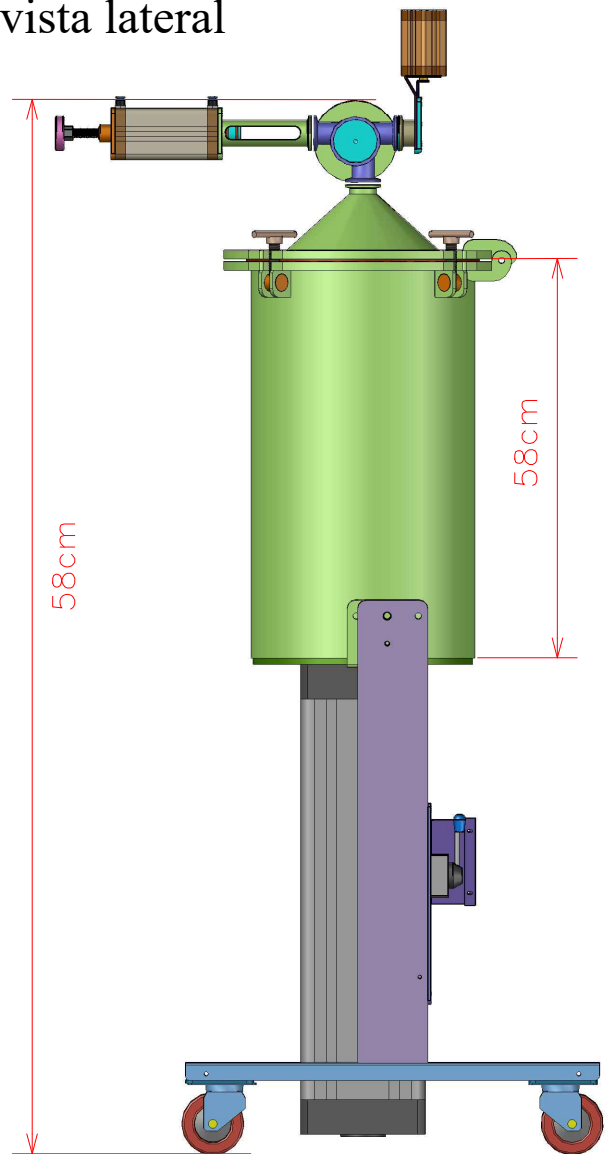


vista superior



vista lateral



DOSIFICADOR DE RELLENOS (FILLER DISPENSER)

INJECTFILL-N40L

FICHA TECNICA



(ESP)

DIMENSIONES:	60x150x44 cm (LxHxW)
PESO:	92Kg
MATERIAL TANQUE:	ACERO INOX 304
CAPACIDAD DEL TANQUE:	42 lts
VOLTAJE DE CONTROL:	BATERIA INTERNA, 9VDC
REQ. NEUMATICO:	80-120 psi (MIN.-MAX.), 8 scfm

FICHA TECNICA



(EN)

DIMENSIONS:	60x150x44 cm (LxHxW)
WEIGHT:	92Kg
CONSTRUCTIVE MATERIALS:	STAINLESS STEEL 304,
TANK CAPACITY:	42 lts
CONTROL VOLTAGE:	INTERNAL BATTERY, 9VDC
PNEUMATIC REQUIREMENTS:	80-120 psi (MIN.-MAX.), 8 scfm